

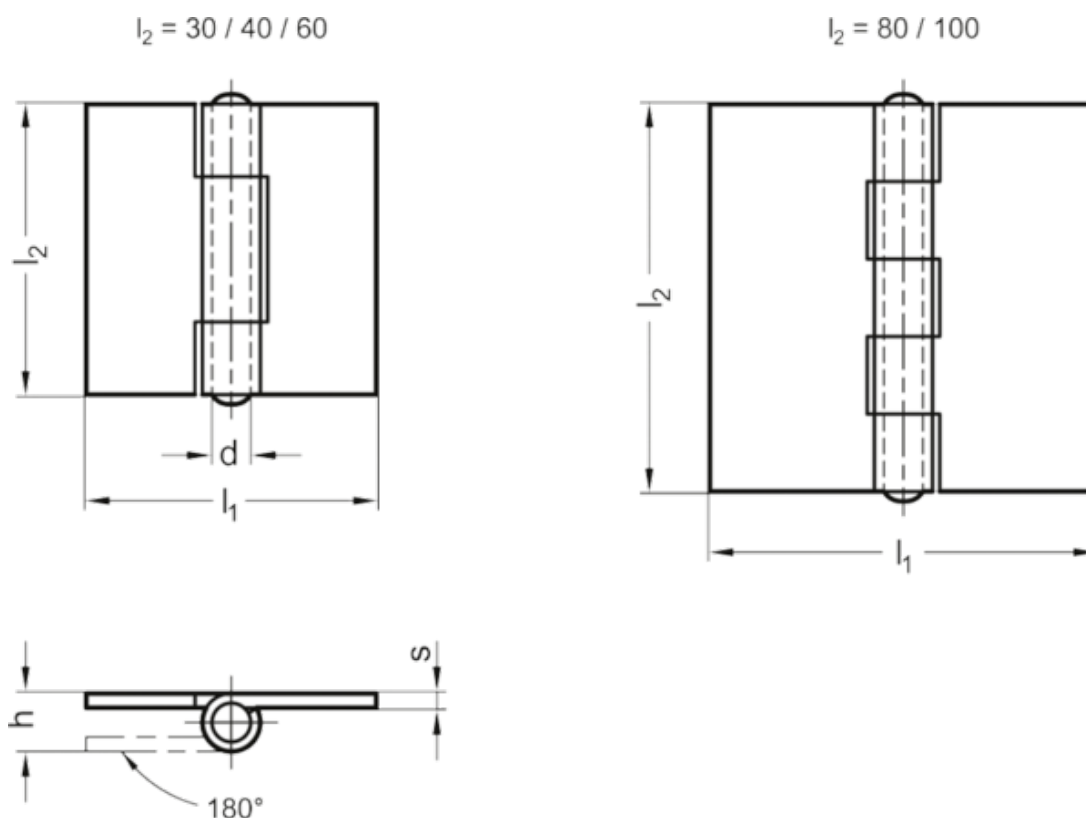
Data Sheet



Article number: 201362NI8030ABL

Description: E+G Hinge for welding GN 1362-NI-80-30-A-BL
Stainless steel AISI 304

Measures



d	= 6
h	= 12
l1	= 80
l2	= 30
s	= 3
Weight in (g)	= 120